

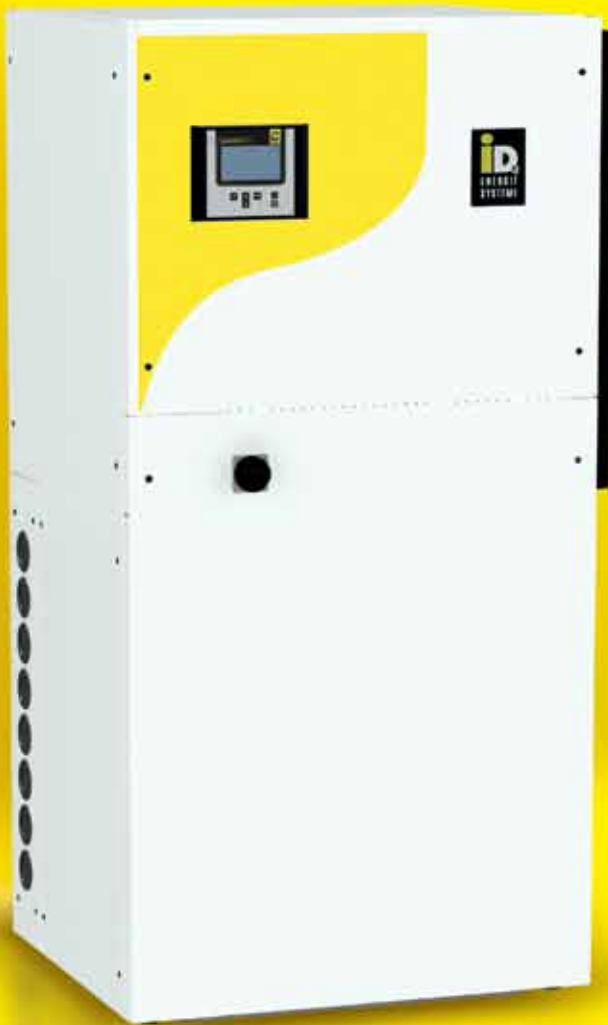
# AIR SOURCE HEAT PUMPS

*Indoor installation 7/9/11 kW*

*TERRA IL Complete*



THE ENERGY FAMILY



Controlled HGL technology for maximum hot water convenience and a long service life

High COP of 4.23 for low energy consumption

Sound Reduction System SRS for silent operation

NAVIGATOR control system to optimise energy consumption and convenience

Very small installation space required and simple installation



**We take care of your well-being.**

Leading technology from IDM. Expertise from installers.

[www.idm-energie.com](http://www.idm-energie.com)

# ADVANTAGES OF AN IDM AIR SOURCE HEAT PUMP.

A high performance device that is easy to use, requires little space and works extremely efficiently: The TERRA IL is an air heat pump that operates contentedly in the corner of a house and offers a comforting supply of hot water with a 300l Hygienik tank. The verified COP of 4.23 means a low electricity bill and the NAVIGATOR control system ensures the TERRA IL Complete is Smart Grid, Smart Web and Smartphone compatible.

## MAXIMUM INNOVATION

- Independently tested top COP 4.23 according to EN 14511
- for low power consumption
- EHPA seal of approval demonstrates quality
- Smart Grid ready: for intelligent use of in-house photovoltaic energy or low energy tariffs



## MAXIMUM EFFICIENCY

- Optimised seasonal performance by electronic feed
- Stand-by mode: disconnection of all electricity consumers
- Integrated high-efficiency pumps for brine and heating (HGL Complete)

## MAXIMUM COMFORT

- Simple and versatile operation with the Navigator® control system
- Remote maintenance and control via bus, Internet and app
- Heating, cooling and hygienic hot water with one system
- Optimised for refurbishment projects. The system can be integrated into existing heat sources and can produce high temperatures.

## SOUND REDUCTION SYSTEM SRS

The air flow was optimised by applying the CFD method, the evaporator geometry was improved and now produces very low levels of pressure and noise and the RadiCal fan was enhanced with regard to the air flow – all this and a thermally decoupled housing ensure TERRA IL makes as little noise as possible.



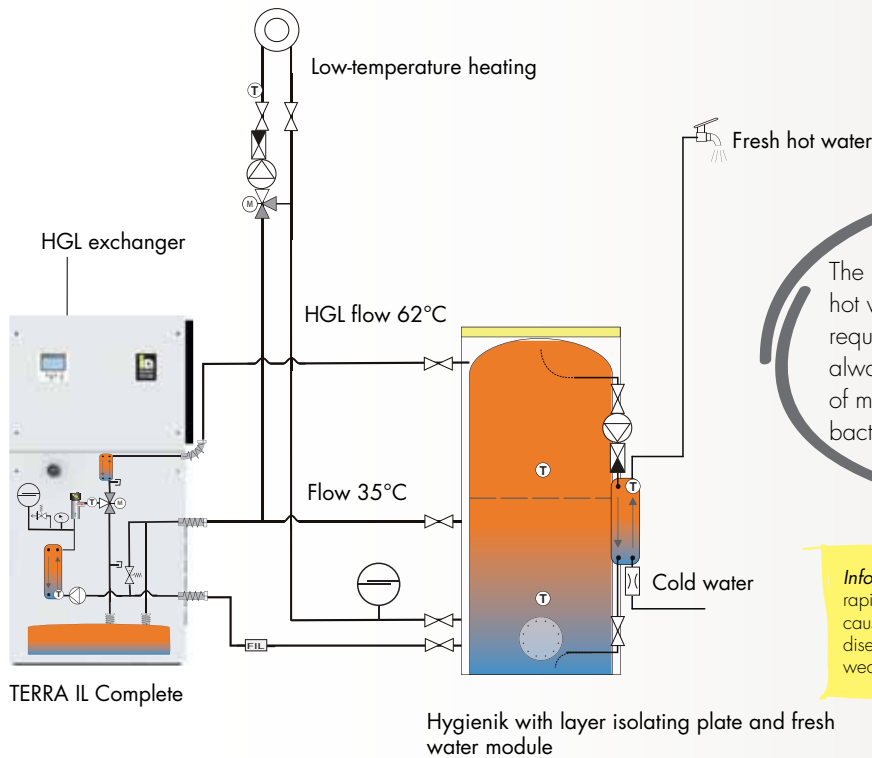
## NAVIGATOR® CONTROL SYSTEM

The NAVIGATOR® represents a simple and versatile heat pump control system. Up to 6 heating circuits can be controlled individually. That means six different time schedules for heating and six different temperature zones in the house. The control system for a simple solar thermal energy system has already been integrated and different connections are easy to implement. Regardless of whether you want to control the heating via the internet, via your mobile phone, via your BUS system or directly. The NAVIGATOR® can do all that and also record data for more than 1 year in an operation log saved on an SD card or at myidm.at



# CONTROLLED HGL TECHNOLOGY WITH HYGIENIK FRESH WATER HEATING.

IDM heat pumps save costs because the controlled HGL technology means more than 85% of the energy is fed into the heating circuit at 35°C. The second section reaches a temperature of 62°C, and the content is made available for hot water preparation via the Hygienik tank with fresh water technology. Water is only heated when hot water is tapped. The water in the storage tank is for heating only. As a result, hot water is always fresh and the formation of microorganisms such as Legionella and other bacteria is prevented.



The Hygienik fresh water technology provides fresh hot water in a matter of seconds. Only the water required for heating is stored; drinking water is always heated fresh. This prevents the formation of microorganisms such as Legionella and other bacteria.

**Info:** Legionella are pathogens found in water. They multiply rapidly at temperatures between 30°C and 40°C and can cause Legionnaire's disease. Legionella is a serious infectious disease of the lungs which can be fatal for anyone with a weak immune system.

## 3 steps to myIDM.at

1. Connect the heat pump to the internet.



2. Register at [www.myIDM.at](http://www.myIDM.at).



3. Log on heat pump in the system:  
You may NOW access it using your PC or smartphone



### YOUR BENEFITS:

1. You control the heat pump whenever and from wherever you want.
2. You have the option to call service before the heating fails.

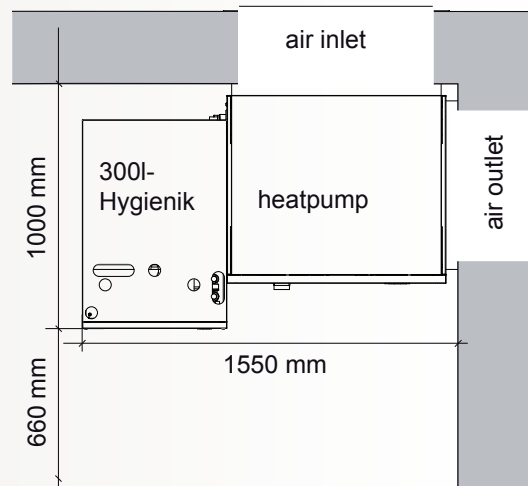
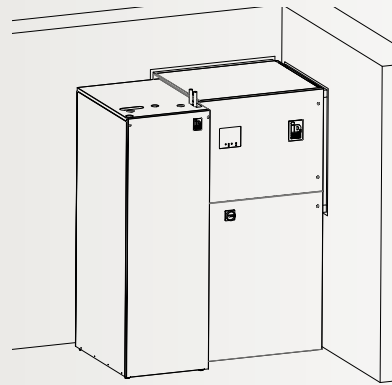
## TECHNICAL DATA:

Technical data in compliance with EN 14511	UNIT	TERRA IL 7 Complete	TERRA IL 9 Complete	TERRA IL 11 Complete
Heat output for A2/W35	kW	6.65	9.47	10.92
Heat output for A7/W35	kW	7.79	10.95	13.66
Heat output for A-7/W35	kW	5.12	7.42	9.18
Power consumption for A2/W35	kW	1.64	2.24	2.72
COP at A2/W35		4.05	4.23	4.02
Cooling capacity at A35/W18	kW	8.27	11.61	15.17
EER at A35/W18		3.63	3.63	3.62
Weight	kg	310	315	317
Dimensions HxWxD	mm	1830x910x780	1830x910x780	1830x910x780
External sound power level	dB(A)	54	60	64
External sound power level at a distance of 10 m	dB(A)	29	35	39
Internal sound power level at a distance of 1 m	dB(A)	37	42	44

The TERRA IL Complete (HGL) is supplied with a complete "Plug & Heat" hydraulics system: the heating pump, the expansion tank, the priority valve for hot water, the safety group, the overflow valve, one safety immersion heater and even a hydraulic buffer are pre-installed. It goes without saying that the variant with HGL technology also features the HGL exchanger and the HGL valve.

## SIMPLE INSTALLATION IN CONFINED SPACES

Installing the TERRA IL Complete air heat pump and the 300l Hygienik fresh water system requires only a very small installation area: when positioned particularly closely together, both devices fit into an area of less than 3m<sup>2</sup>. However, we recommend you provide more installation space to facilitate maintenance.



Installation in a garage: a small installation space is required on the inside and the unit is almost invisible from the outside - merely the two weather protection grilles indicate the position of the heat pump.



A further option would be to combine it with the Hygienik 500, 825 or 1.000 if you require more, convenient hot water or would prefer to store more energy.



EN ISO 9001  
Zertifikat Nr. 20 100 6383  
www.tuv.at